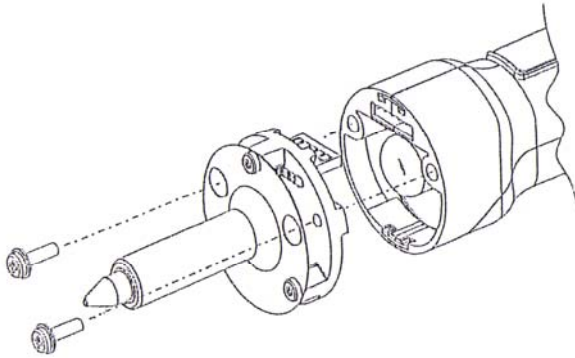


PAGE[®]

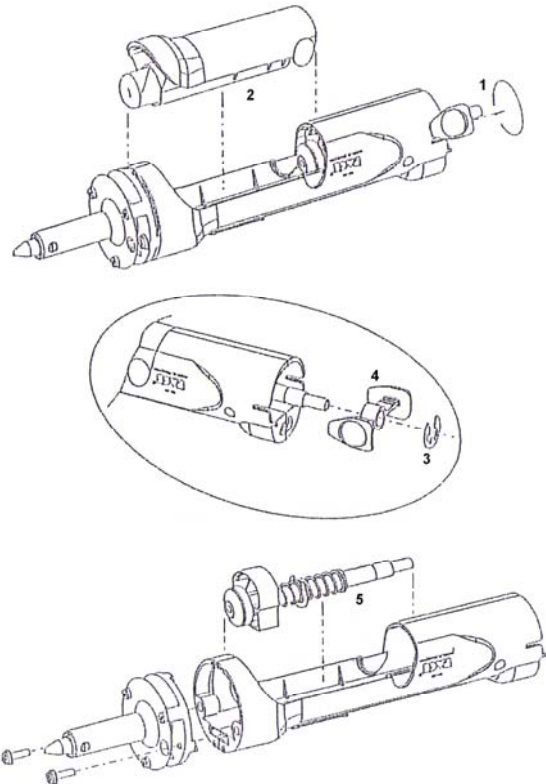
worldwide

PACE SX-80, SX-90 & SX-100 Heater & Handle Installation Instructions MANUAL NUMBER 5050-0485 Rev. D

HEATER REPLACEMENT



HANDLE REPLACEMENT



For any questions regarding these instructions, contact your local authorized PACE distributor or contact PACE directly at the appropriate address listed below



PACE Incorporated
255 Air Tool Drive
Southern Pines,
NC, 28387
Tel: (910) 695-7223
Fax: (910) 695-1594

Pace UK
11 Holdam Avenue
Bletchley
Milton Keynes, MK1 1QU
Tel: 011 44 1908 277666
Fax: 011 44 1908 277777